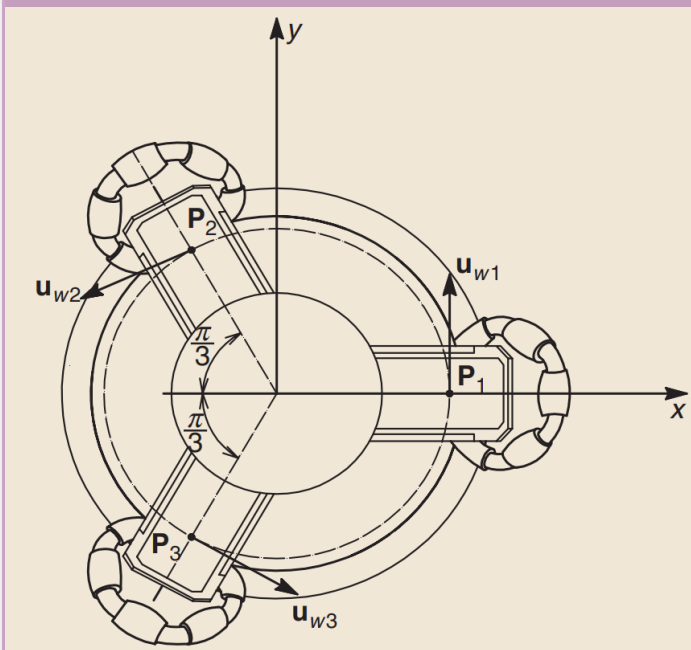


CONTROL SYSTEMS SOCIETY



PUBLICATIONS CONTENT DIGEST

TABLE OF CONTENTS

CSS Publications Activities

Vice-President

THOMAS PARISINI *Imperial College London, UK*

<http://www.ieeecss.org/publications/css-publications>

Journal Editors

IEEE Transactions on Automatic Control

ALESSANDRO ASTOLFI *Imperial College London and Univ. of Rome “Tor Vergata”*

<http://www.ieeecss.org/publications/tac>

IEEE Transactions on Control Systems Technology

ANDREA SERRANI *Ohio State University*

<http://www.ieeecss.org/publications/tcst>

IEEE Transactions on Control of Network Systems

IOANNIS PASCHALIDIS *Boston University*

JEFF SHAMMA Deputy Editor-in-Chief *King Abdullah University of Science and Technology*

<http://www.ieeecss.org/publications/transactions-control-network-systems>

IEEE Control Systems Magazine

JONATHAN HOW *Massachusetts Institute of Technology*

<http://www.ieeecss.org/publications/csm>

IEEE Control Systems Letters

MARIA ELENA VALCHER *University of Padua*

<http://ieee-cssletters.dei.unipd.it/index.php>

Electronics Editor

E-letter on Systems, Control and Signal Processing

JIANGHAI HU *Purdue University*

<http://www.ieeecss.org/publications/e-letter/e-letter>

***Submission and editorial instructions can be found on each publication’s homepage**

For subscription to the monthly E-Letter, please visit:

<http://www.ieeecss.org/newsletter/subscriptions>

IEEE TRANSACTIONS ON AUTOMATIC CONTROL

A PUBLICATION OF THE IEEE CONTROL SYSTEMS SOCIETY



MAY 2018

VOLUME 63

NUMBER 5

IETAA9

(ISSN 0018-9286)

Scanning the Issue	1229
<hr/>	
REGULAR PAPERS	
Nonconservative Discrete-Time ISS Small-Gain Conditions for Closed Sets	
..... <i>N. Noroozi, R. Geiselhart, L. Grüne, B. S. Rüffer, and F. R. Wirth</i>	1231
Convex Lifting: Theory and Control Applications	1243
..... <i>N. A. Nguyen, M. Gulan, S. Oлару, and P. Rodriguez-Ayerbe</i>	
Computation of Lyapunov Functions for Nonlinear Differential Equations via a Massera-Type Construction	
..... <i>A. I. Doban and M. Lazar</i>	1259
Resource Allocation Game Under Double-Sided Auction Mechanism: Efficiency and Convergence	
..... <i>S. Zou, Z. Ma, and X. Liu</i>	1273
A Novel Reduced Model for Electrical Networks With Constant Power Loads	
..... <i>N. Monshizadeh, C. De Persis, A. J. van der Schaft, and J. M. A. Scherpen</i>	1288
Unicycle With Only Range Input: An Array of Patterns	1300
..... <i>T. Tripathy and A. Sinha</i>	
The Role of Symmetry in Rigidity Analysis: A Tool for Network Localization and Formation Control	
..... <i>G. Stacey and R. Mahony</i>	1313
ADD-OPT: Accelerated Distributed Directed Optimization	1329
..... <i>C. Xi, R. Xin, and U. A. Khan</i>	
Solving the Dual Problems of Dynamic Programs via Regression	1340
..... <i>H. Zhu, F. Ye, and E. Zhou</i>	
Convergence of Limited Communications Gradient Methods	
..... <i>S. Magnússon, C. Enyioha, N. Li, C. Fischione, and V. Tarokh</i>	1356
Distributed Constrained Optimization and Consensus in Uncertain Networks via Proximal Minimization	
..... <i>K. Margellos, A. Falsone, S. Garatti, and M. Prandini</i>	1372
A Quantum Hamiltonian Identification Algorithm: Computational Complexity and Error Analysis	
..... <i>Y. Wang, D. Dong, B. Qi, J. Zhang, I. R. Petersen, and H. Yonezawa</i>	1388
A Hybrid Design Approach for Output Feedback Exponential Stabilization of Markovian Jump Systems	
..... <i>J. Song, Y. Niu, J. Lam, and Z. Shu</i>	1404

(Contents Continued on Back Cover)



TECHNICAL NOTES

Cyber-Physical Attacks With Control Objectives	<i>Y. Chen, S. Kar, and J. M. F. Moura</i>	1418
A Fractional-Order Repetitive Controller for Periodic Disturbance Rejection	<i>G. Fedele</i>	1426
Distributed Adaptive Convex Optimization on Directed Graphs via Continuous-Time Algorithms	<i>Z. Li, Z. Ding, J. Sun, and Z. Li</i>	1434
Safe Markov Chains for ON/OFF Density Control With Observed Transitions	<i>N. Demirel, M. El Chamie, and B. Açkmeşe</i>	1442
Robust Exponential Stability and Disturbance Attenuation for Discrete-Time Switched Systems Under Arbitrary Switching	<i>W. Xiang, H.-D. Tran, and T. T. Johnson</i>	1450
Synthesis of Similarity Enforcing Supervisors for Nondeterministic Discrete Event Systems	<i>N. Kushi and S. Takai</i>	1457
Analysis of Gradient Descent Methods With Nondiminishing Bounded Errors	<i>A. Ramaswamy and S. Bhatnagar</i>	1465
Two-Dimensional Peak-to-Peak Filtering for Stochastic Fornasini–Marchesini Systems	<i>C. K. Ahn, P. Shi, and M. V. Basin</i>	1472
Robust Regulation of Infinite-Dimensional Port-Hamiltonian Systems	<i>J.-P. Humaloja and L. Paunonen</i>	1480
Stability Analysis for Positive Singular Systems With Time-Varying Delays	<i>Y. Cui, J. Shen, Z. Feng, and Y. Chen</i>	1487
Asymptotic Regulation of Time-Delay Nonlinear Systems With Unknown Control Directions	<i>R. Pongvuthithum, K. Rattanamongkhonkun, and W. Lin</i>	1495
On the Design of Output Feedback Controllers for LTI Systems Over Fading Channels	<i>L. Su and G. Chesi</i>	1503
A General Approach to Coordination Control of Mobile Agents With Motion Constraints	<i>S. Zhao, D. V. Dimarogonas, Z. Sun, and D. Bauso</i>	1509
The Quadratic Regulator Problem and the Riccati Equation for a Process Governed by a Linear Volterra Integrodifferential Equations	<i>L. Pandolfi</i>	1517
Constructive Nonlinear Internal Models for Global Robust Output Regulation and Application	<i>D. Xu</i>	1523
Very Strictly Passive Controller Synthesis With Affine Parameter Dependence	<i>A. Walsh and J. R. Forbes</i>	1531
Stochastic Super-Twist Sliding Mode Controller	<i>A. Poznyak</i>	1538
Corrections to “Multi-Sensor Kalman Filtering With Intermittent Measurements”	<i>C. Yang, J. Zheng, X. Ren, W. Yang, H. Shi, and L. Shi</i>	1545

IEEE TRANSACTIONS ON CONTROL SYSTEMS TECHNOLOGY



A PUBLICATION OF THE IEEE CONTROL SYSTEMS SOCIETY

MAY 2018

VOLUME 26

NUMBER 3

IETTE2

(ISSN 1063-6536)

REGULAR PAPERS

LPV Model Order Reduction by Parameter-Varying Oblique Projection	<i>J. Theis, P. Seiler, and H. Werner</i>	773
Hovercraft Control With Dynamic Parameters Identification	<i>D. Cabecinhas, P. Batista, P. Oliveira, and C. Silvestre</i>	785
Robust Fractional-Order Compensation in the Presence of Uncertainty in a Pole/Zero of the Plant	<i>N. Sayyaf and M. S. Tavazoei</i>	797
Sustainable Model-Predictive Control in Urban Traffic Networks: Efficient Solution Based on General Smoothing Methods	<i>A. Jamshidnejad, I. Papamichail, M. Papageorgiou, and B. De Schutter</i>	813
Data-Driven PID Controller and Its Application to Pulp Neutralization Process	<i>Y. Zhang, Y. Jia, T. Chai, D. Wang, W. Dai, and J. Fu</i>	828
Feedback Control of the Contour Shape in Heavy-Plate Hot Rolling	<i>F. Schausberger, A. Steinboeck, and A. Kugi</i>	842
Distributed Control of High-Altitude Balloon Formation by Extremum-Seeking Control	<i>I. Vandermeulen, M. Guay, and P. J. McLellan</i>	857
Controlled Lagrangian Particle Tracking: Error Growth Under Feedback Control	<i>K. Szwaykowska and F. Zhang</i>	874
Nuclear Norm-Based Recursive Subspace Identification for Wind Turbine Flutter Detection	<i>S. T. Navalkar and J. W. van Wingerden</i>	890
A Bioinspired Dynamics-Based Adaptive Tracking Control for Nonlinear Suspension Systems	<i>H. Pan, X. Jing, W. Sun, and H. Gao</i>	903
Indoor Tracking With the Generalized <i>t</i> -Distribution Noise Model	<i>L. Yin, S. Liu, W. K. Ho, and K. V. Ling</i>	915
Nonlinear Adaptive Control of Hydraulic System With Observing and Compensating Mismatching Uncertainties	<i>C. Wang, L. Quan, Z. Jiao, and S. Zhang</i>	927
3-D Decentralized Prioritized Motion Planning and Coordination for High-Density Operations of Micro Aerial Vehicles	<i>X. Ma, Z. Jiao, Z. Wang, and D. Panagou</i>	939
A Robust Utility Learning Framework via Inverse Optimization	<i>I. C. Konstantakopoulos, L. J. Ratliff, M. Jin, S. S. Sastry, and C. J. Spanos</i>	954
Discovering Association Rules of Mode-Dependent Alarms From Alarm and Event Logs	<i>W. Hu, T. Chen, and S. L. Shah</i>	971
Reconfigurable Model Predictive Control for Multielevator Vapor Compression Systems	<i>D. J. Burns, C. Danielson, J. Zhou, and S. Di Cairano</i>	984
A Reduced-Order Model of a Lithium-Ion Cell Using the Absolute Nodal Coordinate Formulation Approach	<i>D. W. Limoge, P. Y. Bi, A. M. Annaswamy, and A. Krupadanam</i>	1001

(Contents Continued on Back Cover)

(Contents Continued from Front Cover)

Multiobjective Optimal Control With Safety as a Priority	<i>K. Lesser and A. Abate</i>	1015
Distributed Model Predictive Control for On-Connected Microgrid Power Management <i>Y. Zheng, S. Li, and R. Tan</i>	1028
An Evaluation of Stochastic Model-Dependent and Model-Independent Glider Flight Management <i>A. A. Menezes, D. D. Shah, and I. V. Kolmanovsky</i>	1040

BRIEF PAPERS

Impact Fault Detection for Linear Vapor Compressor Using RISE Observer <i>M. Mohebbi, M. L. McIntyre, and J. Latham</i>	1057
H_∞ Control of Two-Time-Scale Markovian Switching Production-Inventory Systems <i>Q.-K. Li, Y.-G. Li, and H. Lin</i>	1065
Gain-Scheduled Flight Controller Using Bounded Inexact Scheduling Parameters <i>M. Sato</i>	1074
Distributed Maneuvering of Autonomous Surface Vehicles Based on Neurodynamic Optimization and Fuzzy Approximation <i>Z. Peng, J. Wang, and D. Wang</i>	1083
Static Antiwindup Design for Nonlinear Parameter Varying Systems With Application to DC Motor Speed Control Under Nonlinearities and Load Variations <i>N. us Saqib, M. Rehan, N. Iqbal, and K.-S. Hong</i>	1091
Probabilistic Energy Management Strategy for EV Charging Stations Using Randomized Algorithms <i>P. Pflaum, M. Alamir, and M. Y. Lamoudi</i>	1099
Model Predictive Control for Distributed Microgrid Battery Energy Storage Systems <i>T. Morstyn, B. Hredzak, R. P. Aguilera, and V. G. Agelidis</i>	1107
Line-Independent Plug-and-Play Controllers for Voltage Stabilization in DC Microgrids <i>M. Tucci, S. Rivero, and G. Ferrari-Trecate</i>	1115
Dynamics and Estimator-Based Nonlinear Control of a PEM Fuel Cell <i>K. Sankar and A. K. Jana</i>	1124
Temperature Model Identification of FTU Liquid Lithium Limiter <i>M. L. Apicella, A. Buscarino, C. Corradino, L. Fortuna, G. Mazzitelli, and M. G. Xibilia</i>	1132
A Two-Step Approach for an Enhanced Quadrotor Attitude Estimation via IMU Data <i>J. Chang, J. Cieslak, J. Dávila, J. Zhou, A. Zolghadri, and Z. Guo</i>	1140
Adaptive Command-Filtered Backstepping Control of Robot Arms With Compliant Actuators <i>Y. Pan, H. Wang, X. Li, and H. Yu</i>	1149

IEEE

CONTROL SYSTEMS LETTERS

A PUBLICATION OF THE IEEE CONTROL SYSTEMS SOCIETY



APRIL 2018

VOLUME 2

NUMBER 2

ICSLBO

(ISSN 2475-1456)

PAPERS

A Track-to-Track Fusion Method for Tracks With Unknown Correlations	189
..... <i>M. Zarei-Jalalabadi, S. M. B. Malaek, and S. S. Kia</i>	
Towards Encrypted MPC for Linear Constrained Systems	195
..... <i>M. S. Darup, A. Redder, I. Shames, F. Farokhi, and D. Quevedo</i>	
Time-Optimal Collaborative Guidance Using the Generalized Hopf Formula	201
..... <i>M. R. Kirchner, R. Mar, G. Hewer, J. Darbon, S. Osher, and Y. T. Chow</i>	
Generalized Absolute Stability Using Lyapunov Functions With Relaxed Positivity Conditions	207
..... <i>R. Drummond, G. Valmorbidia, and S. R. Duncan</i>	
Exploiting Symmetry for Discrete-Time Reachability Computations	213
..... <i>J. Maidens and M. Arcak</i>	
The Interconnection of Quadratic Droop Voltage Controllers Is a Lotka-Volterra System: Implications for Stability Analysis	218
..... <i>M. Jafarian, H. Sandberg, and K. H. Johansson</i>	
Conic-Sector-Based Analysis and Control Synthesis for Linear Parameter Varying Systems	224
..... <i>S. Sivaranjani, J. R. Forbes, P. Seiler, and V. Gupta</i>	
Stability Analysis and State-Feedback Control of LPV Systems With Piecewise Constant Parameters Subject to Spontaneous Poissonian Jumps	230
..... <i>C. Briat</i>	
Adaptive Output Formation-Tracking of Heterogeneous Multi-Agent Systems Using Time-Varying \mathcal{L}_2 -Gain Design	236
..... <i>S. Zuo, Y. Song, F. L. Lewis, and A. Davoudi</i>	
Static Output-Feedback Stabilization for MIMO LTI Positive Systems Using LMI-based Iterative Algorithms ...	242
..... <i>S. Bhattacharyya and S. Patra</i>	
Distributed Utility Estimation With Heterogeneous Relative Information	248
..... <i>M. Menci, G. Oliva, M. Papi, R. Setola, and M. Zoppello</i>	

(Contents Continued on Page ii)

(Contents Continued from Page i)

Controllability of Boolean Networks via Mixed Controls	<i>D. Cheng, C. Li, X. Zhang, and F. He</i>	254
State Tracking of Linear Ensembles via Optimal Mass Transport	<i>Y. Chen and J. Karlsson</i>	260
Optimal Covariance Control for Stochastic Systems Under Chance Constraints	<i>K. Okamoto, M. Goldshtein, and P. Tsiotras</i>	266
A Multiple-Input Multiple-Output Cepstrum	<i>O. Lauwers, O. M. Agudelo, and B. De Moor</i>	272
Design of Stabilizing Dynamic Output Feedback Controllers for Hidden Markov Jump Linear Systems	<i>A. M. de Oliveira, O. L. V. Costa, and J. Daafouz</i>	278
Primal–Dual Algorithms for Convex Optimization via Regret Minimization	<i>N. Ho-Nguyen and F. Kılınç-Karzan</i>	284
Bistability and Resurgent Epidemics in Reinfection Models	<i>R. Pagliara, B. Dey, and N. E. Leonard</i>	290
Improving the Region of Attraction of a Non-Hyperbolic Point in Slow-Fast Systems With One Fast Direction	<i>H. Jardón-Kojakhmetov and J. M. A. Scherpen</i>	296
Bregman Parallel Direction Method of Multipliers for Distributed Optimization via Mirror Averaging	<i>Y. Yu, B. Açıkmeşe, and M. Mesbahi</i>	302

UPCOMING CONFERENCES



American Control Conference

JUNE 27-29, 2018

MILWAUKEE, WISCONSIN, USA

ACC 2018

<http://acc2018.a2c2.org/>



Important Dates

Paper Submissions Open:
November 1, 2017

Invited Session Proposals Due:
~~January 15, 2018~~ (PASSED)

Contributed and Invited Papers Due:
~~January 15, 2018~~ (PASSED)

Acceptance Notice:
April 23, 2018

Final Submissions Due:
May 21, 2018

CONFERENCE ON TECHNOLOGY AND APPLICATIONS

AUGUST 21-24, 2018
Copenhagen, Denmark

CCTA 2018 will be held at the Scandic Hotel Copenhagen Scandic Copenhagen is located in central Copenhagen, with views of one of the three lakes and the city, and close to the Tivoli Gardens and the pedestrian street, Strøget. With its leafy parklands and canal side living, Copenhagen is a green and liveable city to visit. Summer jazz and street food markets fill the city during summer months, and there is never far to a sandy beach or harbour bar.

<http://ccta2018.ieeecs.org/>

DECEMBER 17-19, 2018

MIAMI, FLORIDA, USA

Conference on Decision and Control



Important Dates

Invited Session Proposals Due:

~~March 10, 2018 (Passed)~~

Paper Submissions Due:

~~March 20, 2018 (Passed)~~

Workshop Proposals Due:

~~May 1, 2018 (Passed)~~

**Paper and Workshop Decision
Notification:**

Mid-July 2018

<https://cdc2018.ieeecss.org>



American Control Conference

JULY 10-12, 2019
PHILADELPHIA, PENNSYLVANIA, USA
ACC 2019